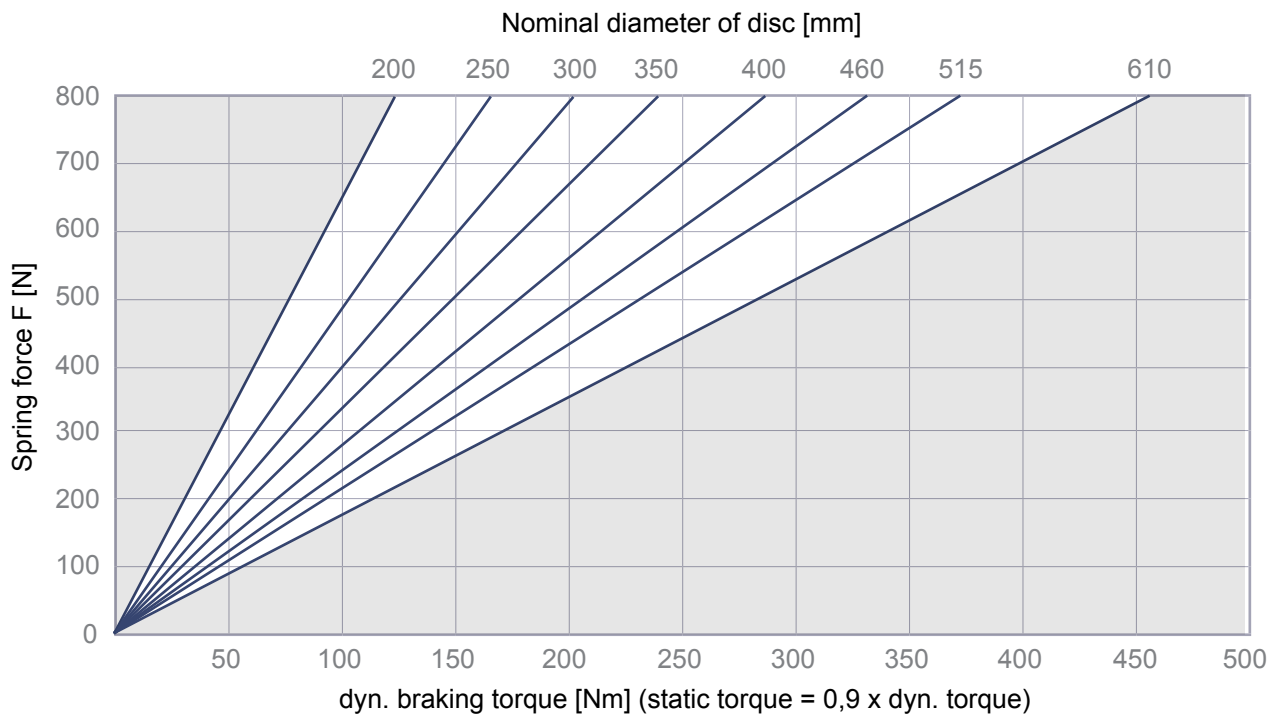




2D-drawing and dimensions see pg. 2

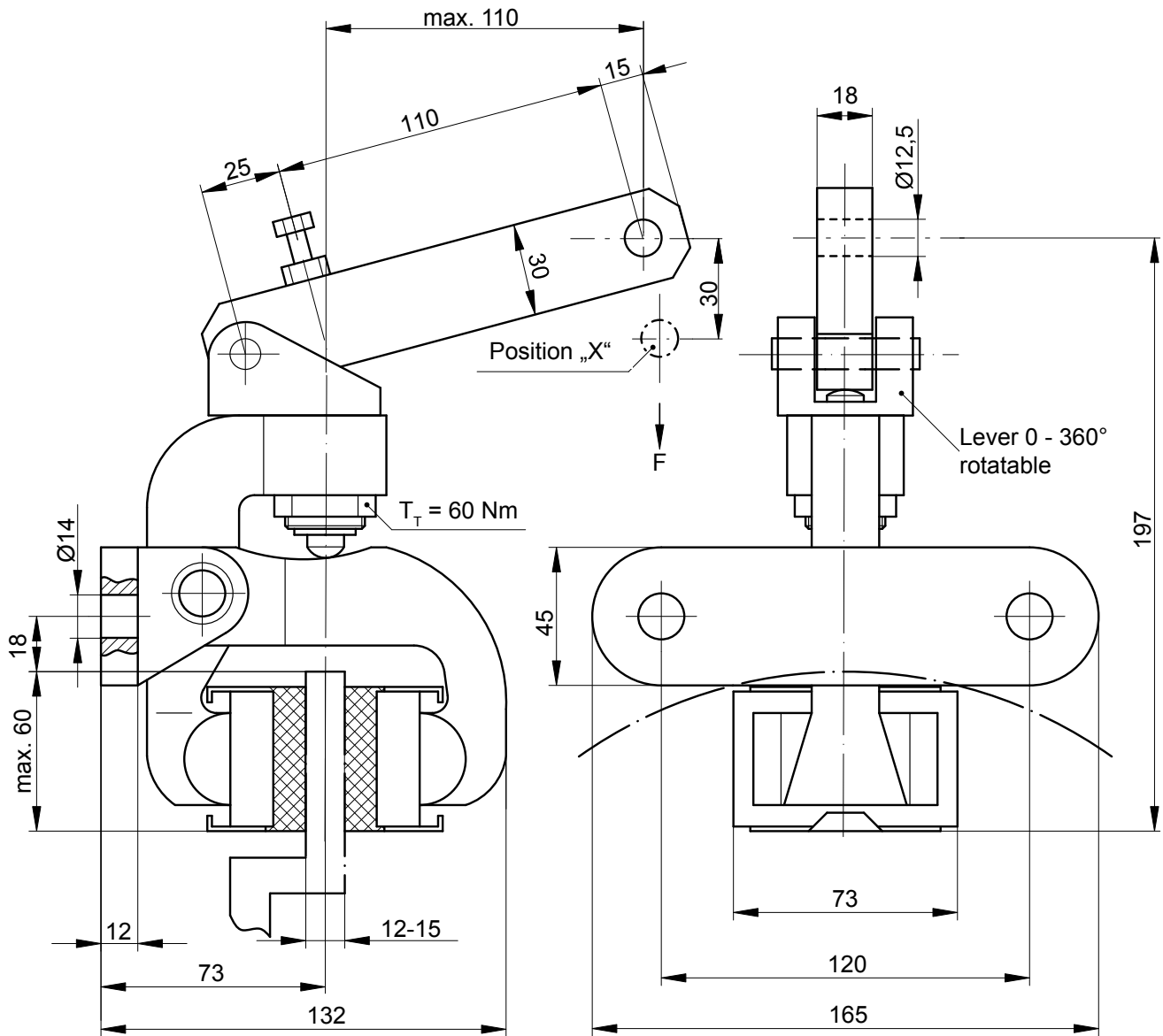


Mass: 3,7 kg

Subject to change without notice.

Elephant Brakes by Rietschoten Germany. Strong like an elephant. Smart like an elephant.

Deutsche van Rietschoten & Houwens GmbH · Junkersstraße 12 · 30179 Hannover · www.elephantbrakes.com

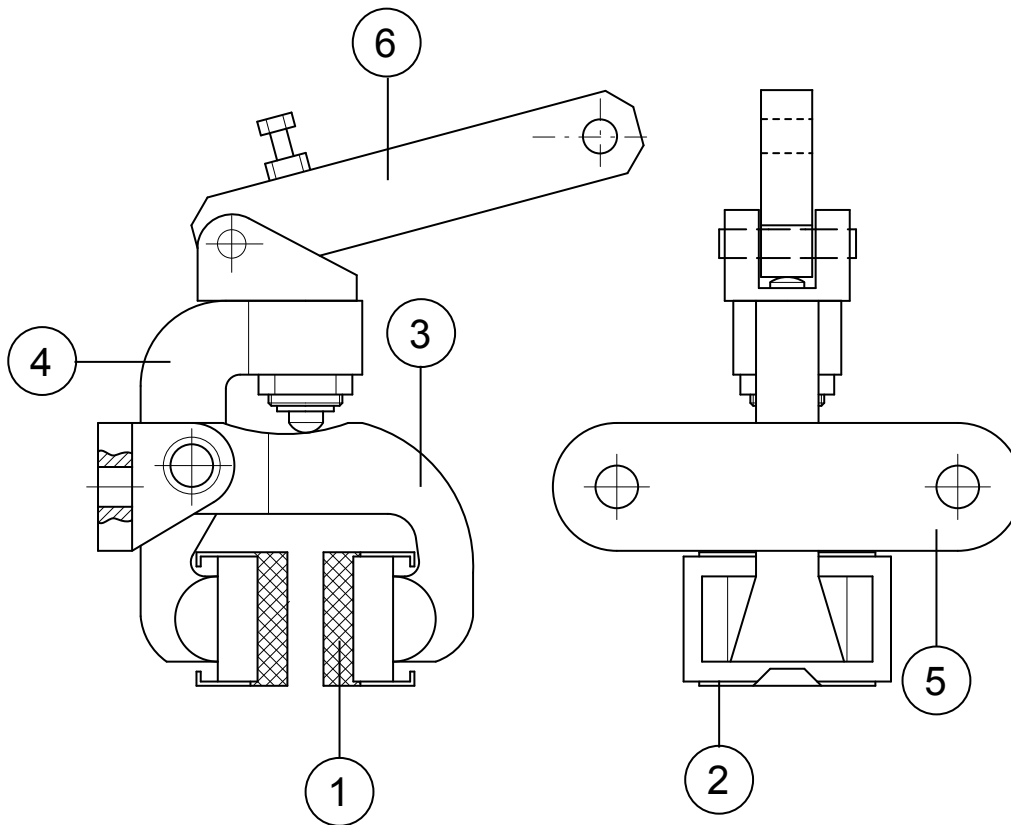


An readjustment will be necessary if position „X“ is reached.

Brake shoes movably mounted.

Housing: GGG 40

Subject to change without notice.



Item	Component	Quantity	Part-No.
1	Brake pad	2	10775
2	Retaining Spring	2	10268
3	Brake Lever	1	10518
4	Brake Lever (Actuator)	1	10517
5	Bearing Chair	1	10519
6	Actuator	1	10142

Subject to change without notice.