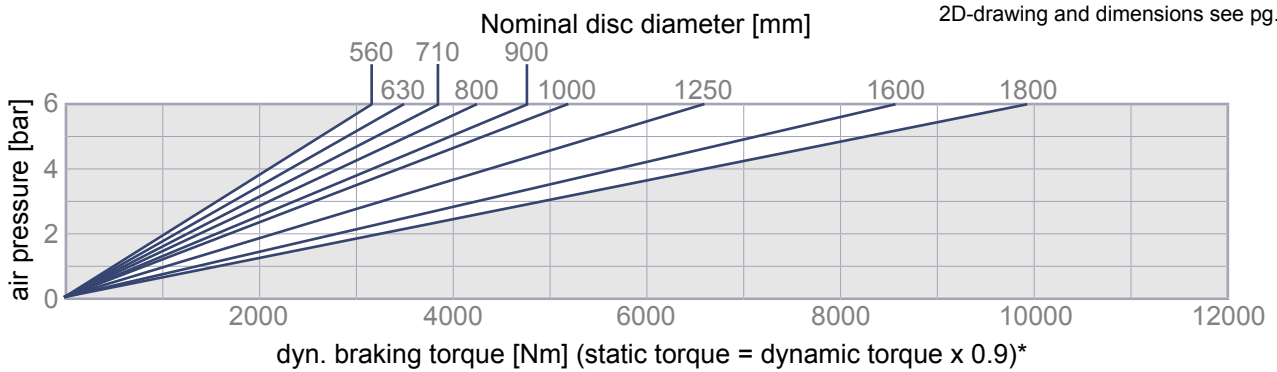


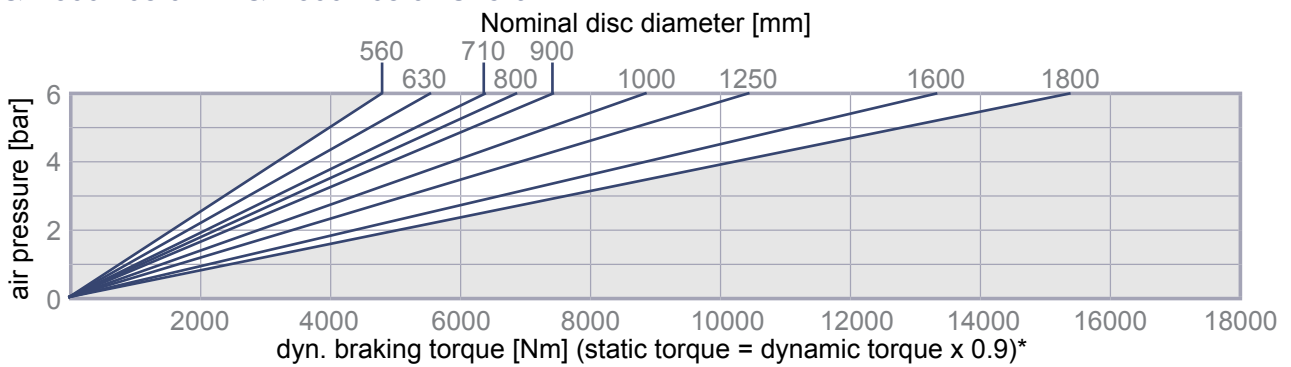


R&H 300.106.04 / R&H 300.106.04 short.

2D-drawing and dimensions see pg. 2



R&H 300.108.04 / R&H 300.108.04 short.

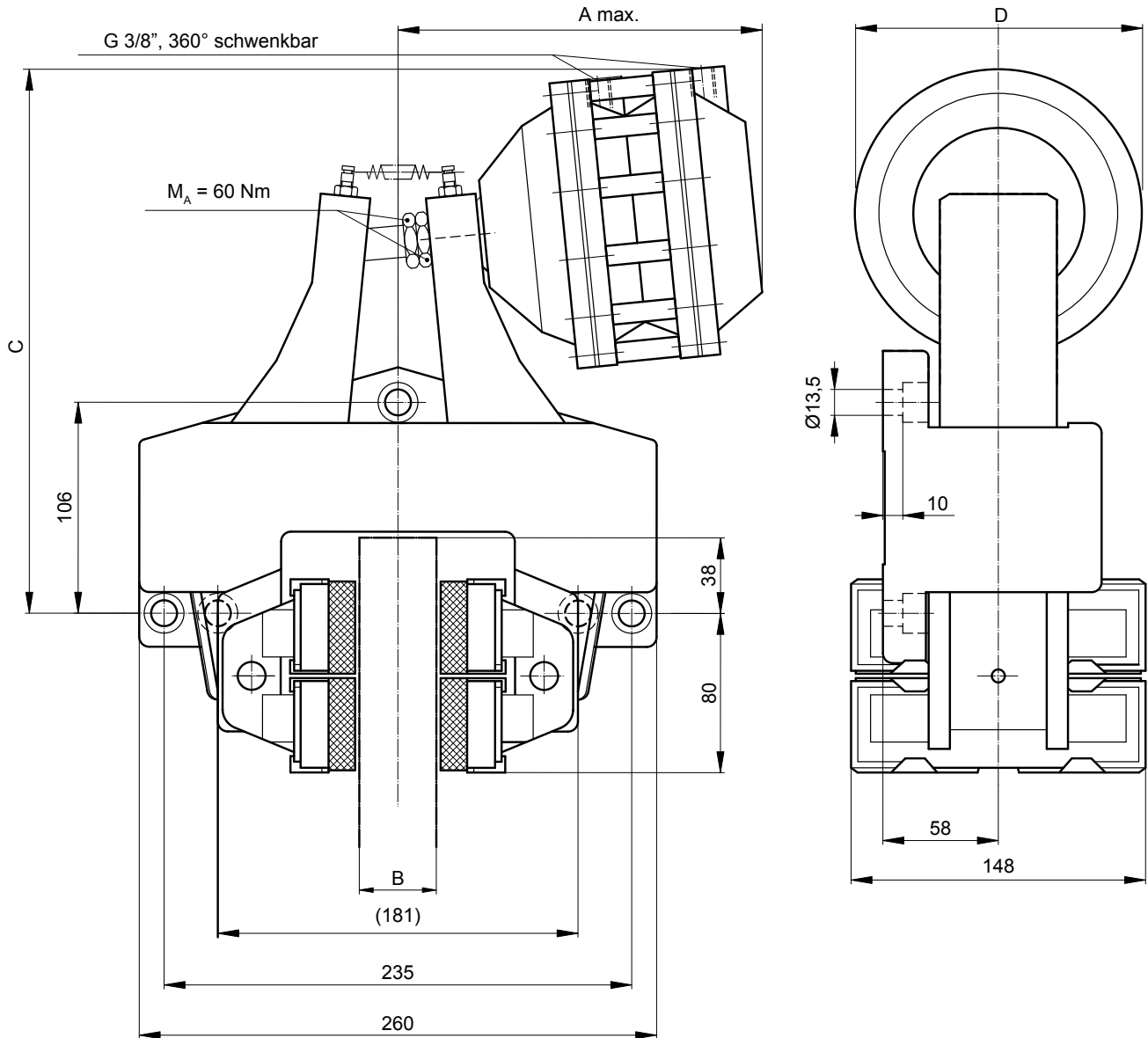


* using one chamber $M_{Br\ dyn.} \times 0,5$

Subject to change without notice.

Elephant Brakes by Rietschoten Germany. Strong like an elephant. Smart like an elephant.

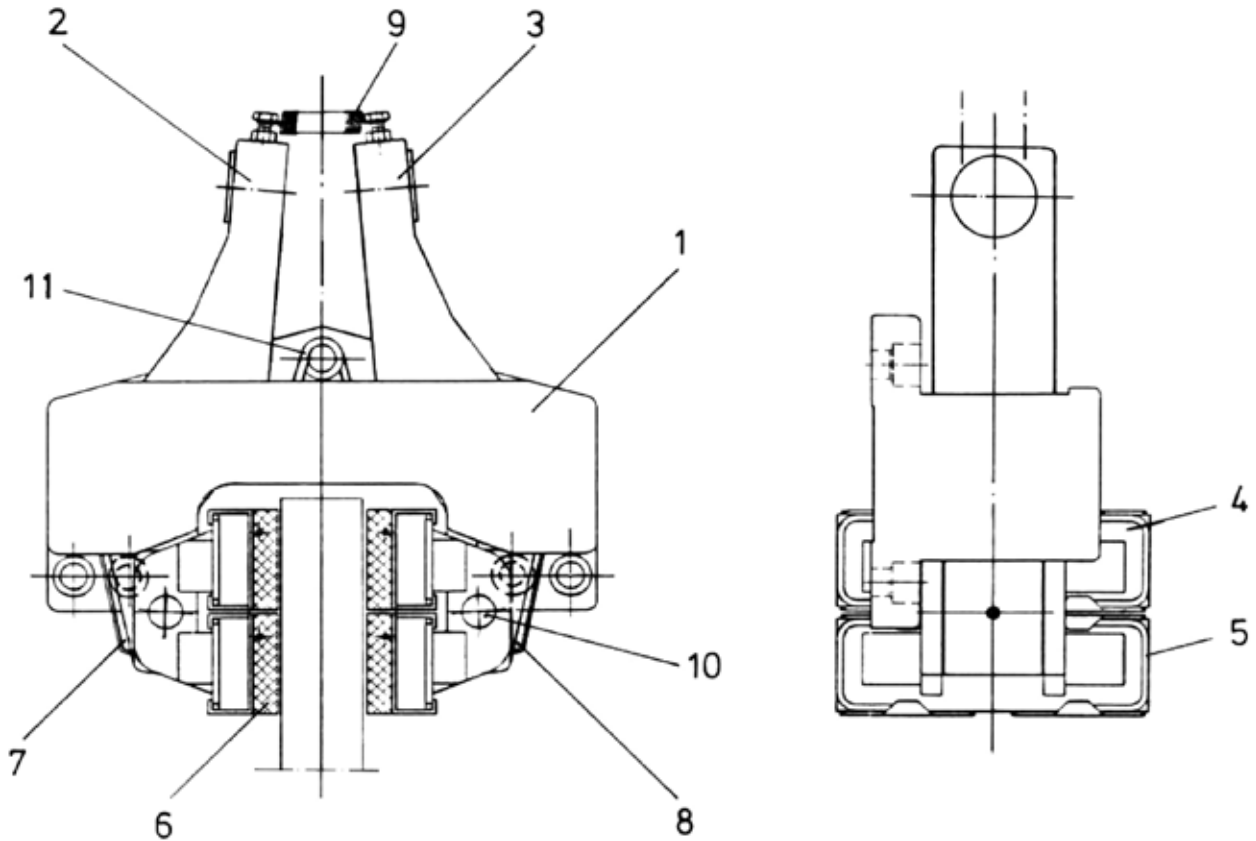
Deutsche van Rietschoten & Houwens GmbH · Junkersstraße 12 · 30179 Hannover · www.elephantbrakes.com



Thruster right hand mounted as shown is standard – left hand mounted please state with order.

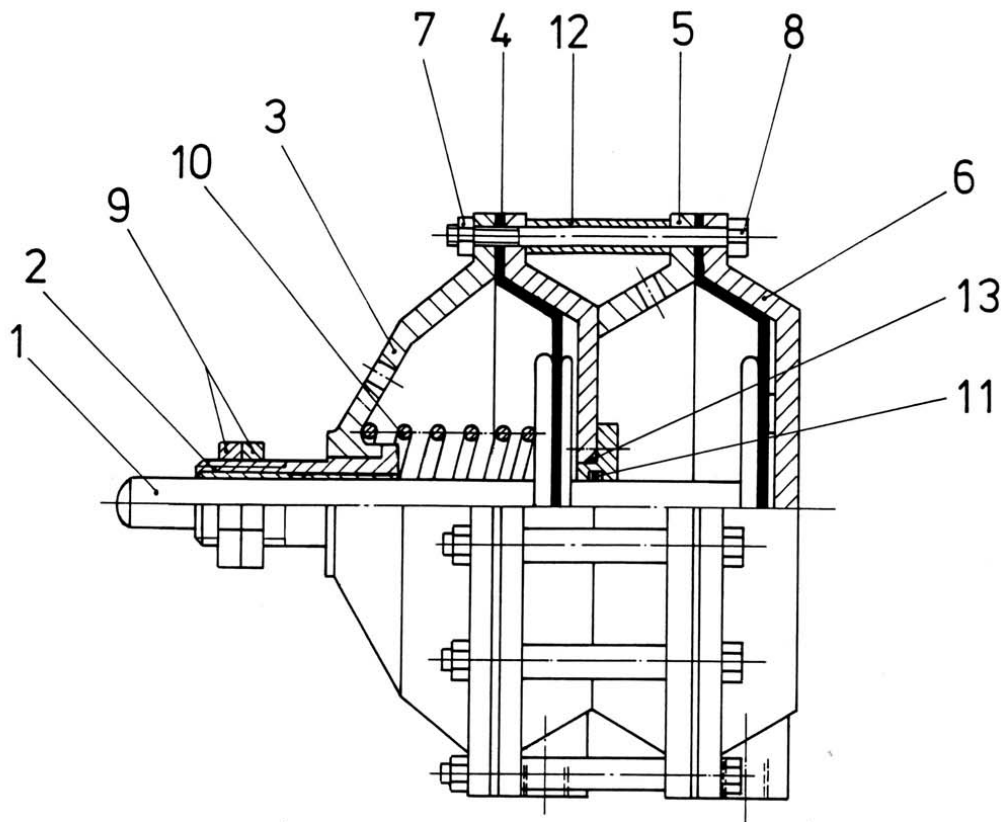
Type	Part-No.	A _{max.} [mm]	B [mm]	C [mm]	D [mm]	air cons. / stroke [dm ³]	Mass [kg]
R&H 300.106.04	11765	220	30	264	144	0,30	24,5
R&H 300.106.04 shortened	11766	210	38	274		0,30	
R&H 300.108.04	11767	225	30	284	180	0,42	26
R&H 300.108.04 shortened	11768	215	38	294		0,42	

Subject to change without notice.



Item	Component	Quantity	Part-No.
1	Housing	1	11916
2	Brake lever (opposite side)	1	11935
3	Brake lever (thruster side)	1	11917
4	Brake shoe	2	11938
5	Retaining spring	8	10268
6	Brake Pad	8	10775
7	Link, left	1	12702
8	Link, right	1	12703
9	Tension spring	2	10270
10	Pivot pin	2	12704
11	Expander spring	2	10273

Subject to change without notice.



Item	Component	Quantity	Type	
			108-79	108-60
			<i>Part-No.</i>	
			10336	12258
1	Push Rod	1	10284	11757
2	Push Rod Bush	1	11756	
3	Thruster front, complete	1	10558	
4	Diaphragm	2	10240	
5	Through Cap	1	10377	
6	Thruster Cap	1	10280	
7	Hexagon Nut M6	13	12700	
8	Hexagon Screw M6 x 90	13	13032	
9	Hexagon Nut	2	10319	
10	Push Rod Retaining Spring	1	10465	
11	O-Ring	1	10881	
12	Bush	13	20055	
13	O-Ring	1	12058	

Subject to change without notice.