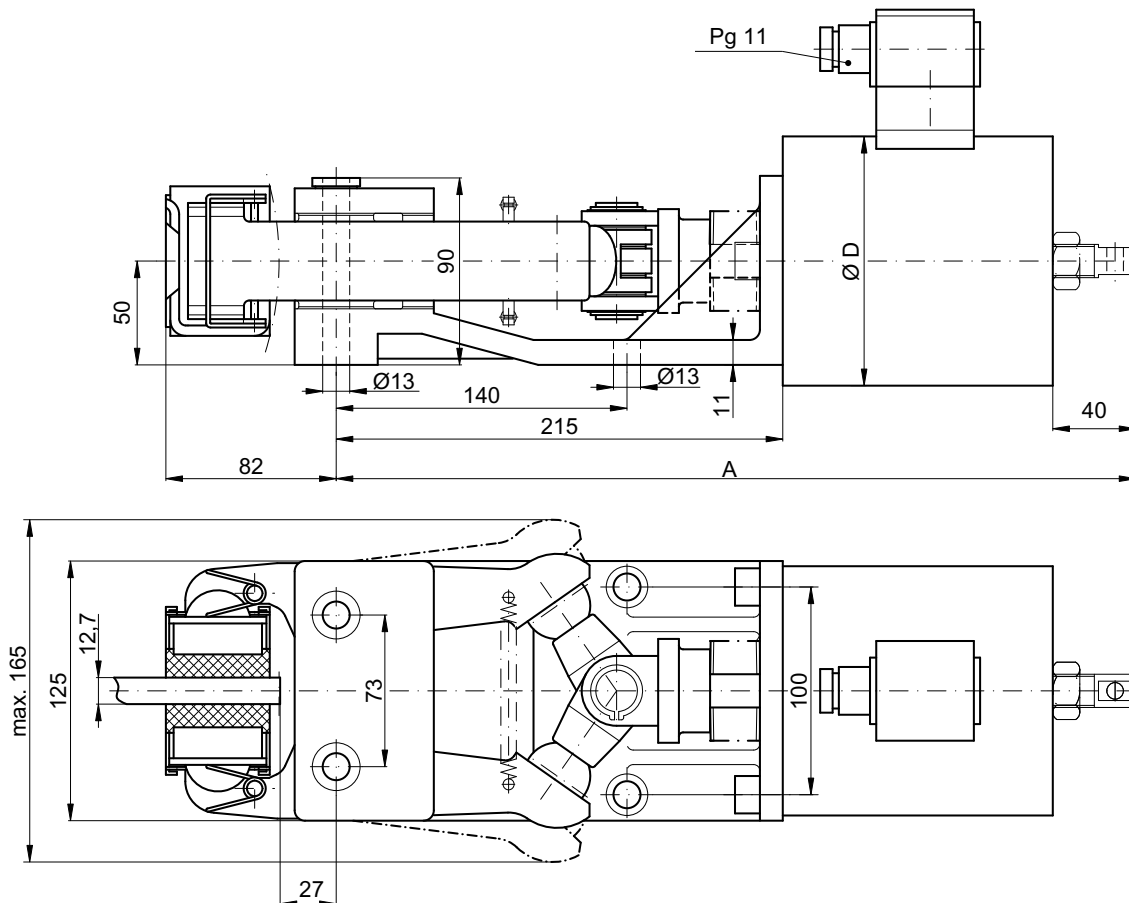


2D-drawing and dimensions see pg. 2

	Nominal disc diameter [mm]							
	200	250	300	350	400	460	515	610
	dyn. braking torque [Nm] (static torque = dynamic torque x 0,9)							
EMS 120	40	55	70	90	105	120	135	160
EMS 140	75	100	125	155	180	215	240	280
EMS 170	130	175	220	275	320	370	420	490
EMS 170 S	220	290	360	430	510	590	670	780

Subject to change without notice.



Type	Part-No.	D [mm]	A [mm]	P [W]	I max. [A]	Mass [kg]
EMS 120	11251	120	385	52	0,25	21
EMS 140	11252	137	410	80	0,39	27
EMS 170	11253	165	443	95	0,46	40
EMS 170 S	11700			280 / 70	1,35 / 0,68	

Insulation protection: IP 65

Duty time ED: 100 %

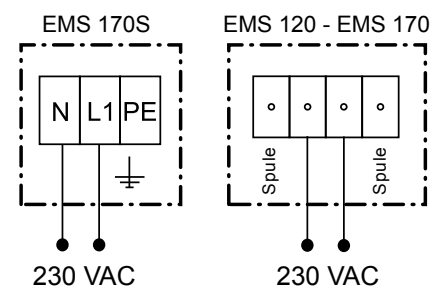
Supply voltage: 230 VAC, 50/60 Hz (different on request)

allowed Switching frequency EMS170S: max. 240 / h

Operating time: 600 ms für EMS 120 - 170 / 180 ms für EMS 170 S

Opening time: 350 ms

Ambient temperature: 40° C



Subject to change without notice.