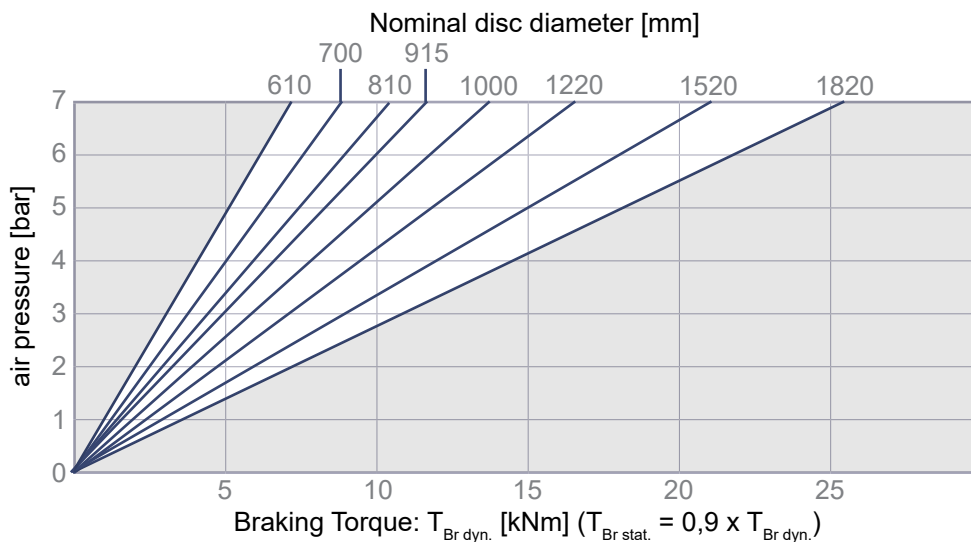


2D-drawing and dimensions see pg. 2



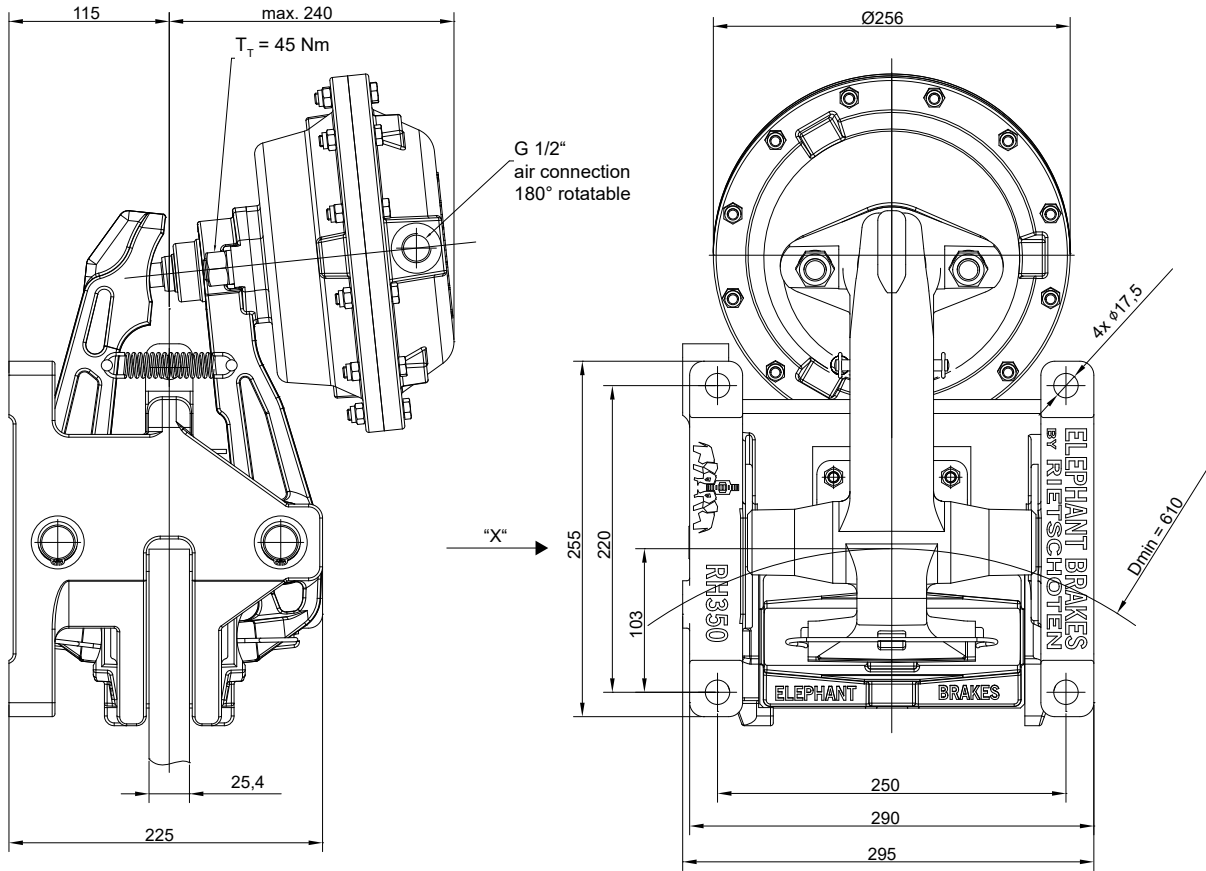
Mass: 49,7 kg

V / stroke: 2 dm³

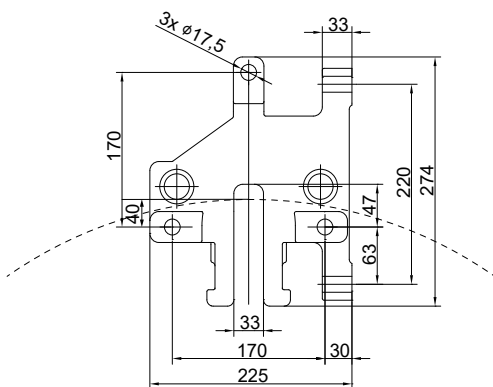
Subject to change without notice.

Elephant Brakes by Rietschoten Germany. Strong like an elephant. Smart like an elephant.

Deutsche van Rietschoten & Houwens GmbH · Junkersstraße 12 · 30179 Hannover · www.elephantbrakes.com



view „X“
mounting surface



Mounting position is horizontal. Please get in touch if different.

A right hand mounted thruster is standard – left hand mounted please state with order.

Subject to change without notice.

Elephant Brakes by Rietschoten Germany. Strong like an elephant. Smart like an elephant.

Deutsche van Rietschoten & Houwens GmbH · Junkersstraße 12 · 30179 Hannover · www.elephantbrakes.com