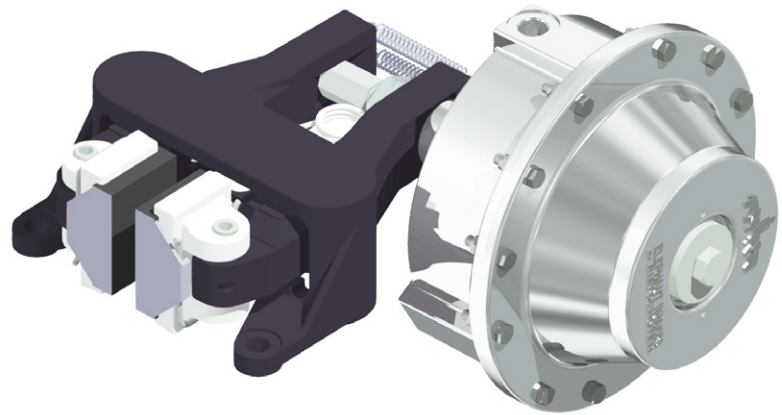


**NOTE:**

Optionally an automatic wear adjustment is available. Please get in touch with us.



spring force	Nominal disc diameter [mm]										
	200	250	300	350	400	460	515	610	710	810	915
	Braking Torque: $T_{Br\ dyn.}$ [Nm] ( $T_{Br\ stat.} = 0,9 \times T_{Br\ dyn.}$ )										
<b>100%</b>	690	930	1170	1410	1660	1950	2220	2680	3160	3650	4160
<b>66%</b>	450	610	770	930	1090	1290	1460	1770	2090	2410	2740
<b>33%</b>	230	310	390	470	550	640	730	880	1040	1200	1370

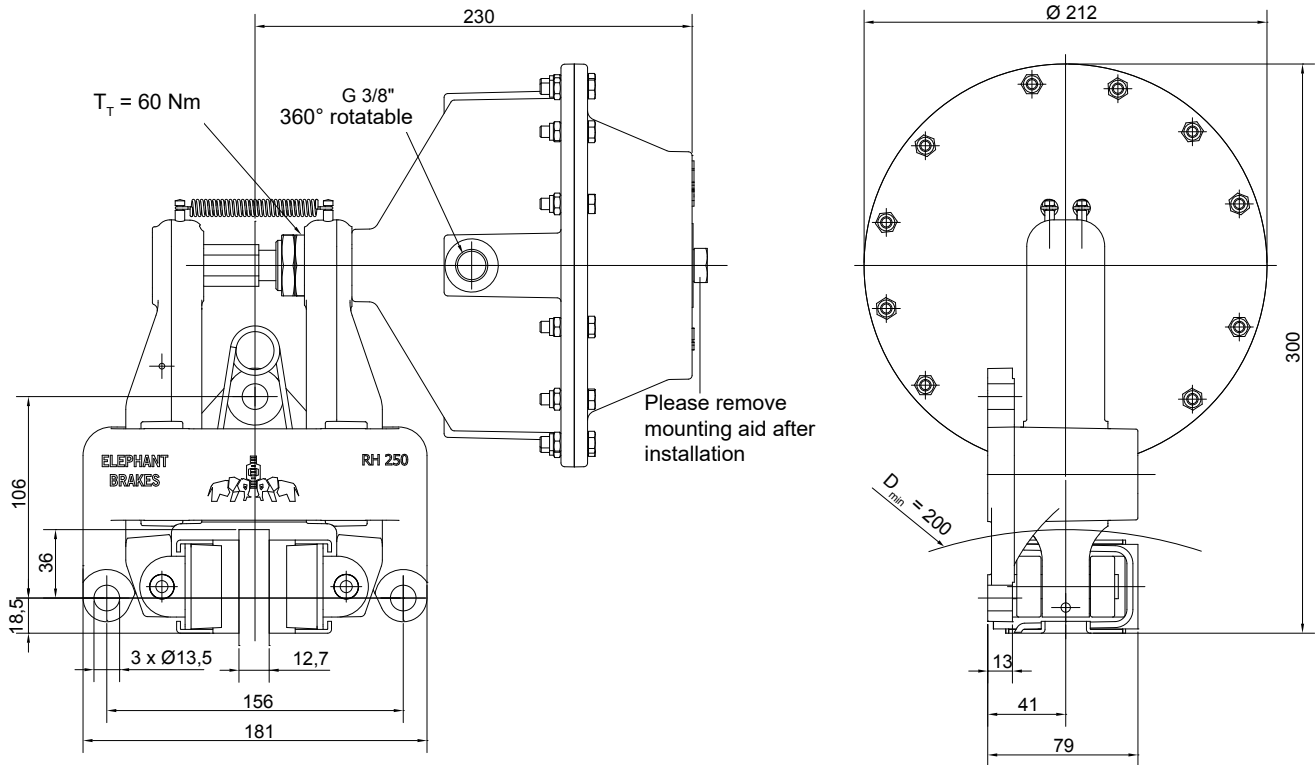
$p_{min.}$ : 5 bar (100%) / 3,3 (66%) / 1,7 (33%)

$p_{max.}$ : 10 bar

max. V / stroke: 0,4 dm<sup>3</sup>

Mass: 13,9 kg

Subject to change without notice.



Mounting position is horizontal – please get in touch with us if different.

A right hand mounted thruster is standard – left hand mounted please state with order.

Subject to change without notice.