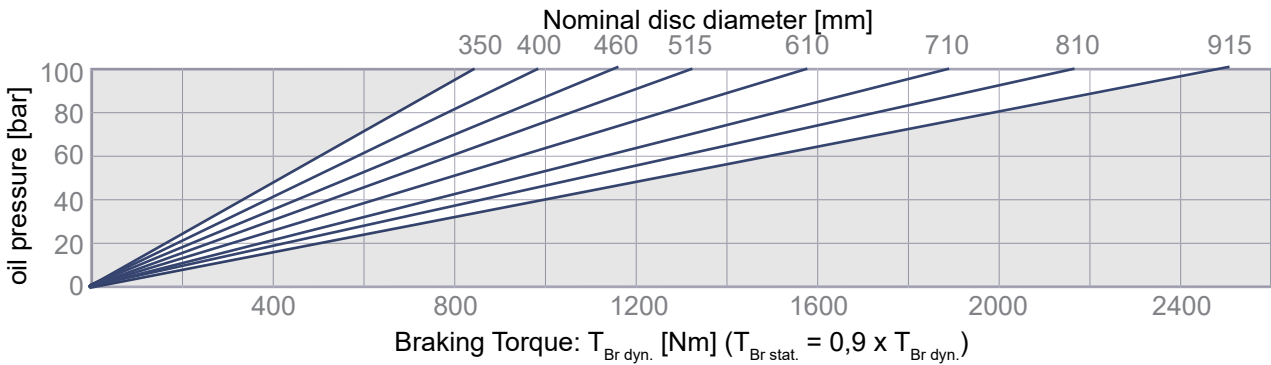
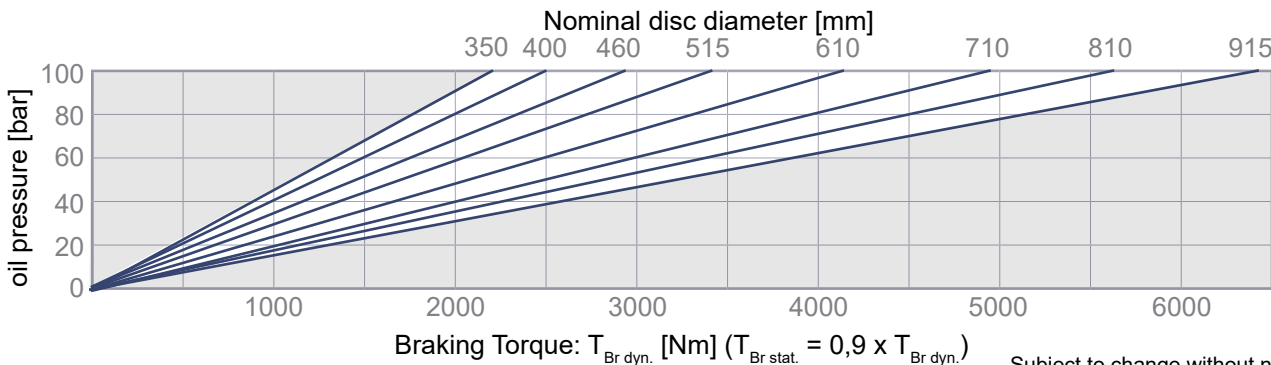


R&H 215.250.01 / R&H 225.250.01 / R&H 230.250.01

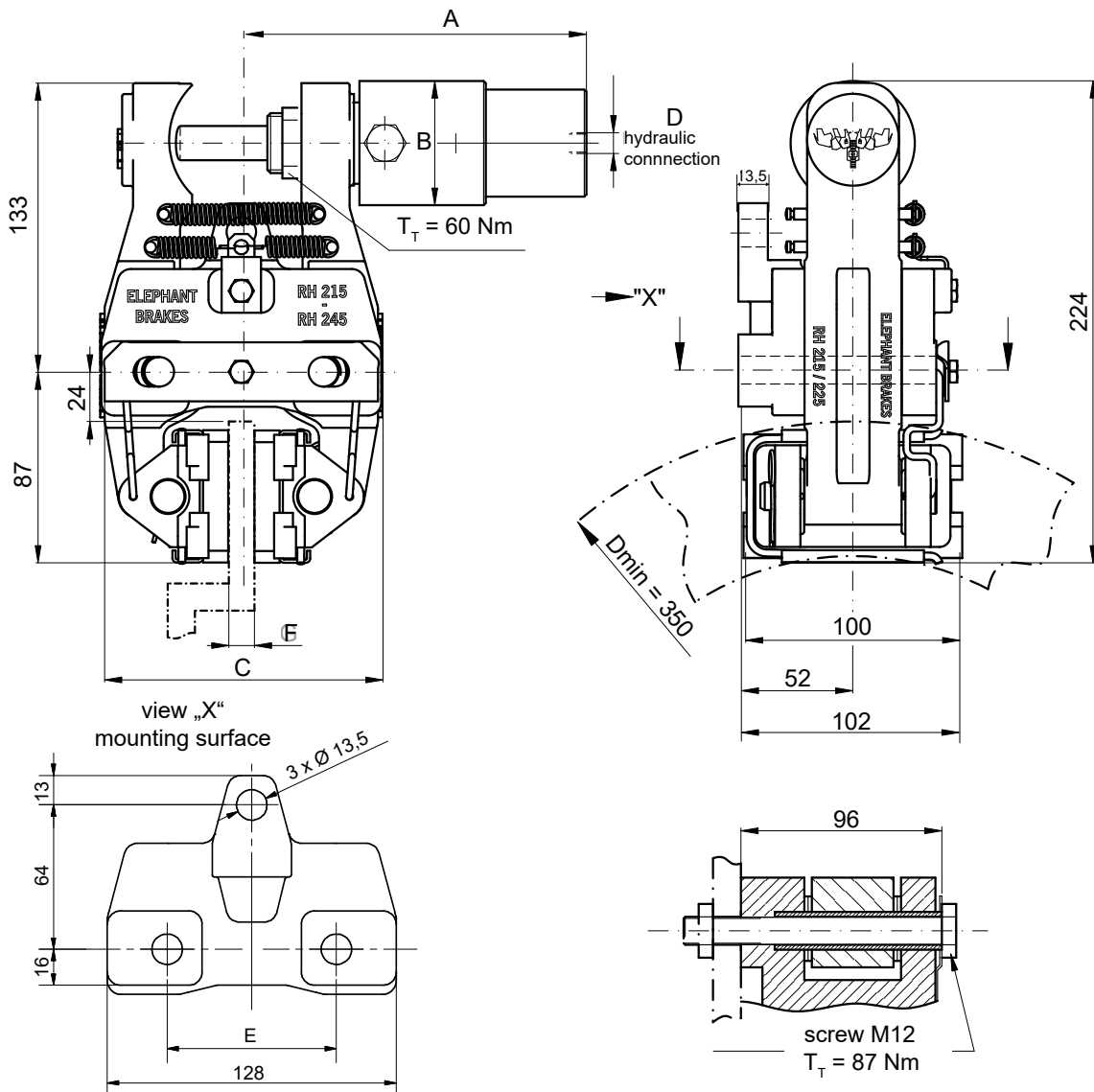
2D-drawing and dimensions see pg. 2



R&H 215.251.01 / R&H 225.251.01 / R&H 230.251.01



Subject to change without notice.



Mounting position is horizontal. Please get in touch if different.

A right hand mounted thruster is standard – left hand mounted please state with order.

Type	Part-No.	A [mm]	Ø B [mm]	C [mm]	D	E [mm]	F [mm]	max. V/stroke [cm ³]	Mass [kg]
R&H 215.250.01	10691	195	40	130	G 1/8"	75	12-15	20	8,7
R&H 225.250.01	11096	199		140		84	25,4		
R&H 230.250.01	10711	195		144		75	30		
R&H 215.251.01	10692	185	58	130	G 1/4"	75	12-15	50	9,4
R&H 225.251.01	11097	189		140		84	25,4		
R&H 230.251.01	10712	185		144		75	30		

For use with mineral oil.

Subject to change without notice.

Elephant Brakes by Rietschoten Germany. Strong like an elephant. Smart like an elephant.

Deutsche van Rietschoten & Houwens GmbH · Junkersstraße 12 · 30179 Hannover · www.elephantbrakes.com