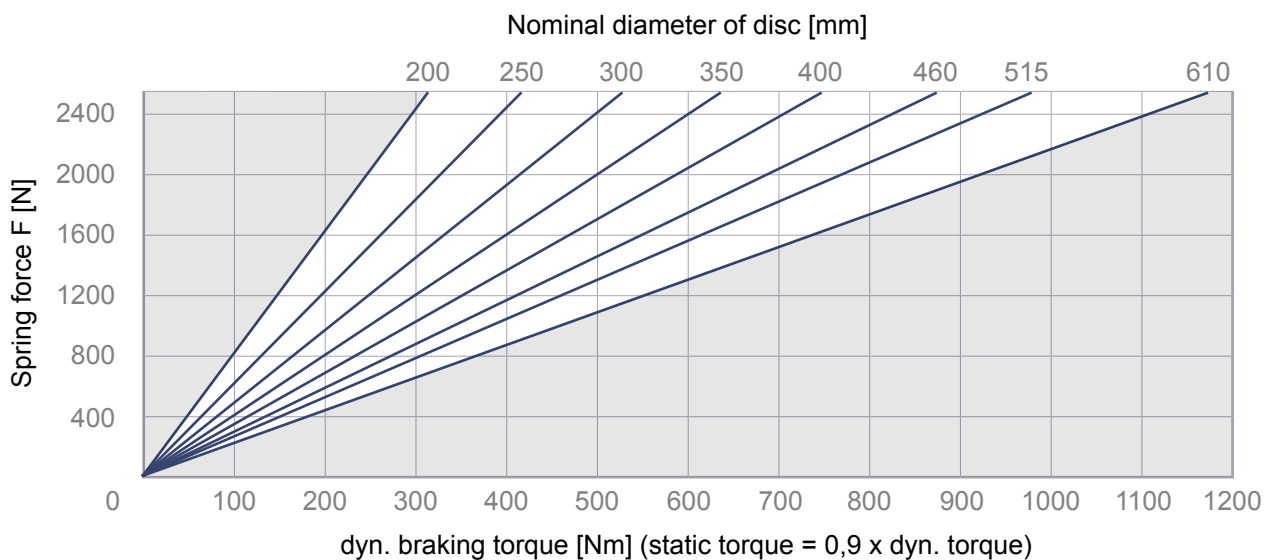


2D-drawing and dimensions see pg. 2



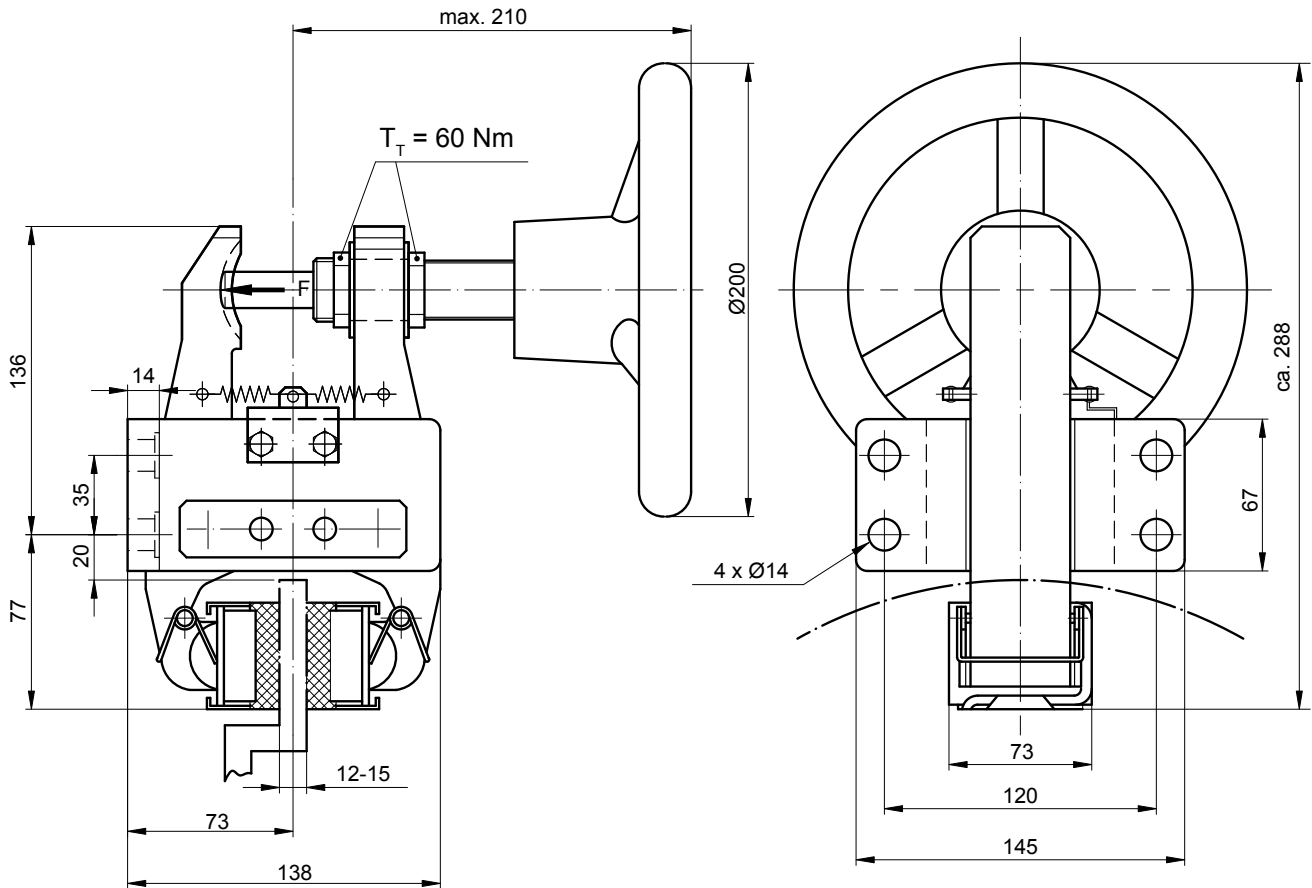
Mass: 9,3 kg

1 turn \approx 260 N

Subject to change without notice.

Elephant Brakes by Rietschoten Germany. Strong like an elephant. Smart like an elephant.

Deutsche van Rietschoten & Houwens GmbH · Junkersstraße 12 · 30179 Hannover · www.elephantbrakes.com

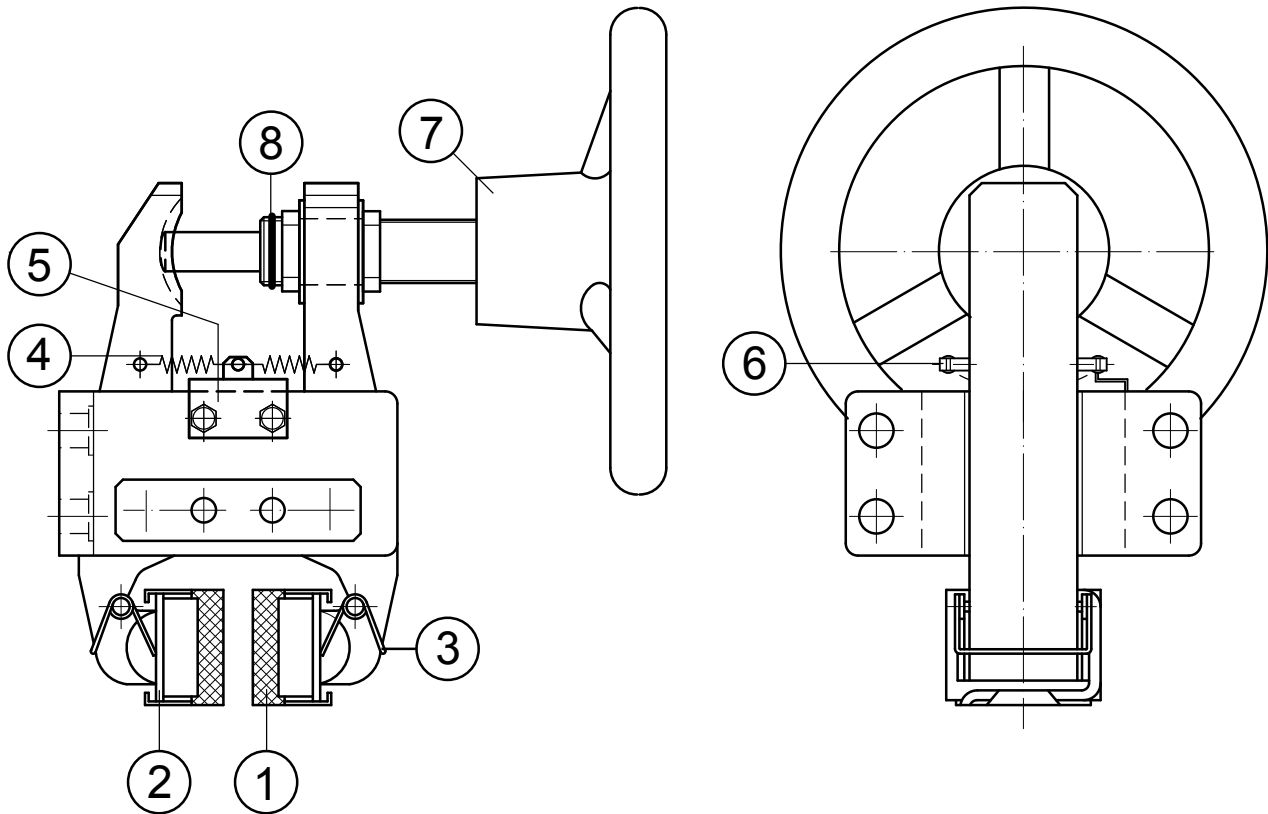


Mounting position is horizontal – please get in touch with us if different.

Subject to change without notice.

Elephant Brakes by Rietschoten Germany. Strong like an elephant. Smart like an elephant.

Deutsche van Rietschoten & Houwens GmbH · Junkersstraße 12 · 30179 Hannover · www.elephantbrakes.com



Item	Component	Quantity	Part-No.
1	Brake Pad	2	10775
2	Retaining Spring	2	10268
3	Shoe Retaining Spring	2	10273
4	Tension Spring	2	10521
5	Anchor Plate	1	10942
6	Tension Spring	1	10270
7	Actuator	1	11535
8	Locking Ring	1	11321

Subject to change without notice.

Elephant Brakes by Rietschoten Germany. Strong like an elephant. Smart like an elephant.

Deutsche van Rietschoten & Houwens GmbH · Junkersstraße 12 · 30179 Hannover · www.elephantbrakes.com